

LUCAS

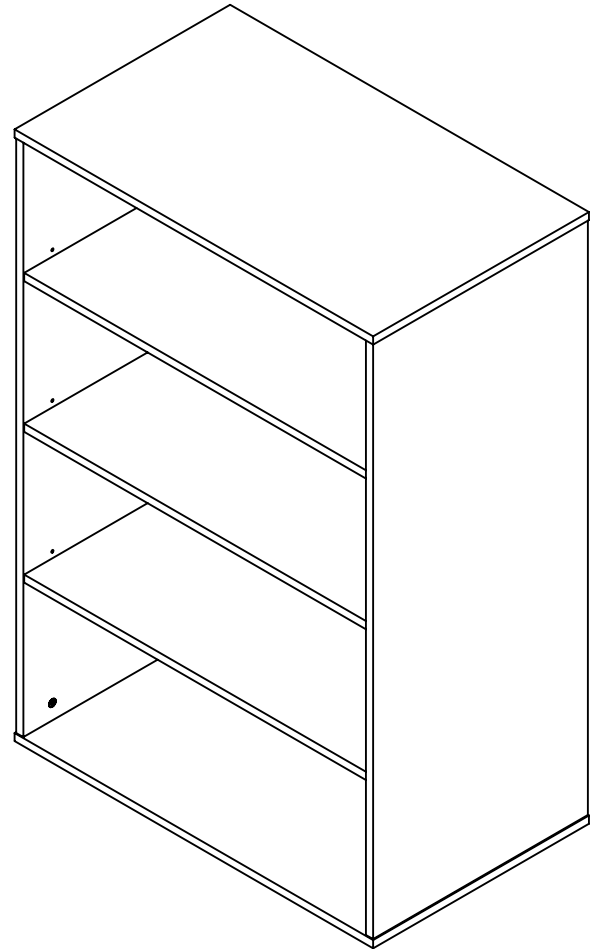
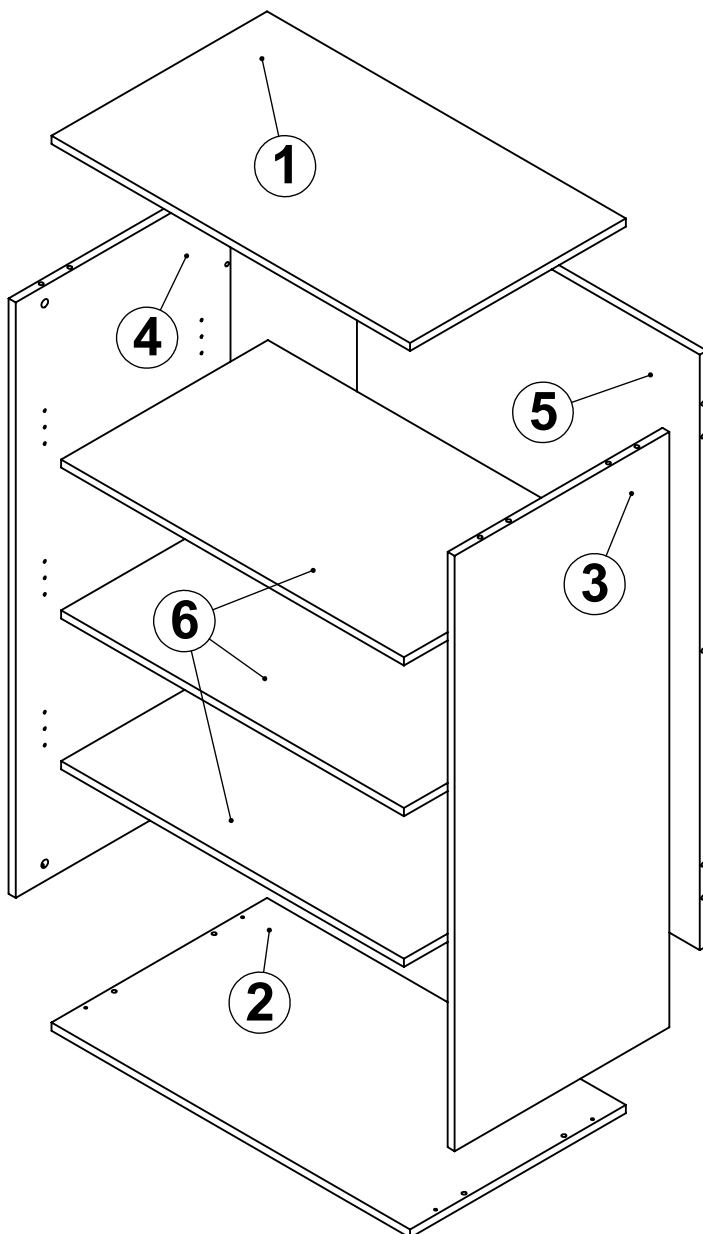
001 / 12/07/2023


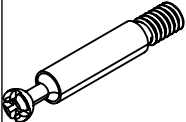
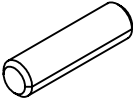
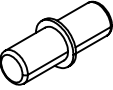
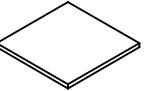

BOOKCASE LARGE HS

ART CODE: 446 23 201

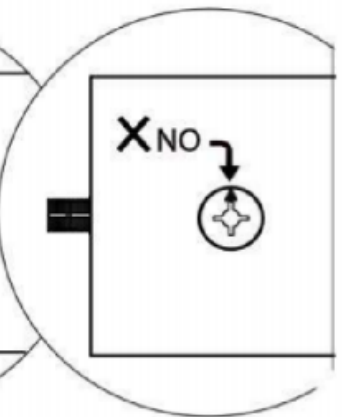
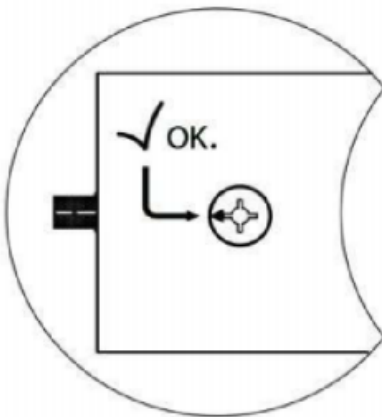
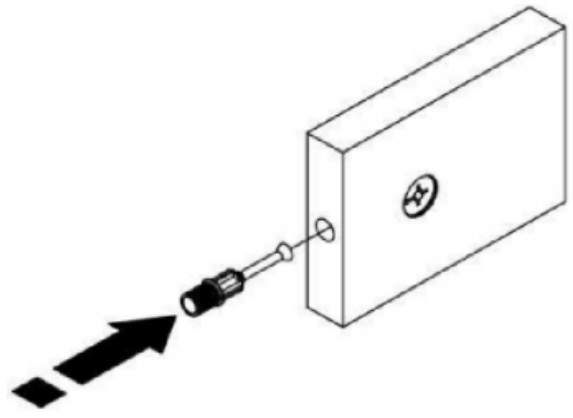
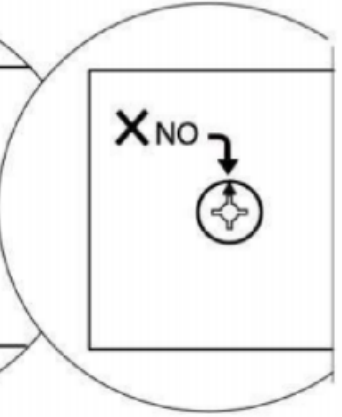
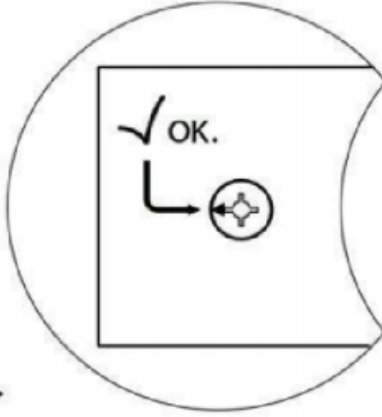
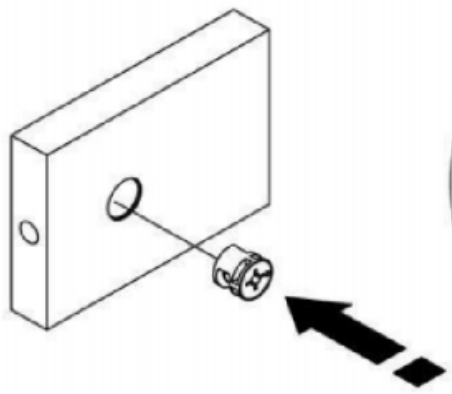
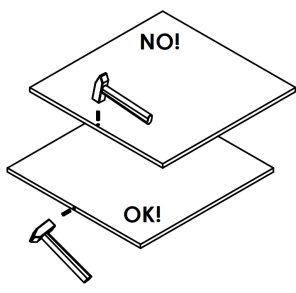
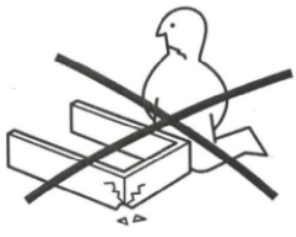
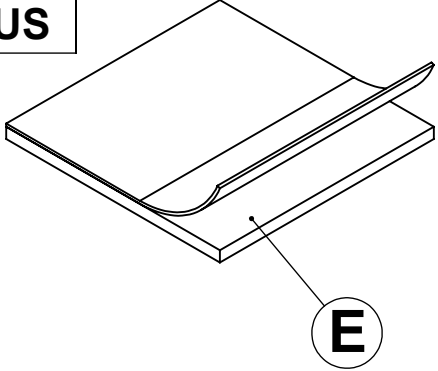
bopita®

"BOPITA"
LION INTERNATIONAL B.V.
ENERGIEWEG 1
6662 NS ELST GLD
NEDERLAND
www.bopita.com

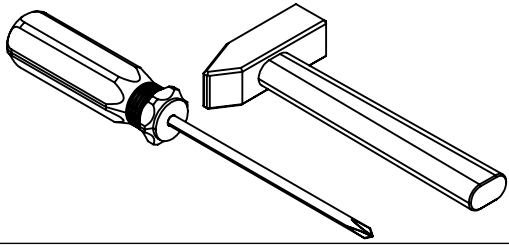


		 8x30			
A x 14	B x 14	C x 12	D x 12	E x 4	IMBUS

BEFORE ASSEMBLY



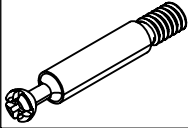
45 min.



STEP - 1

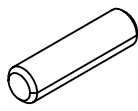


Ax14

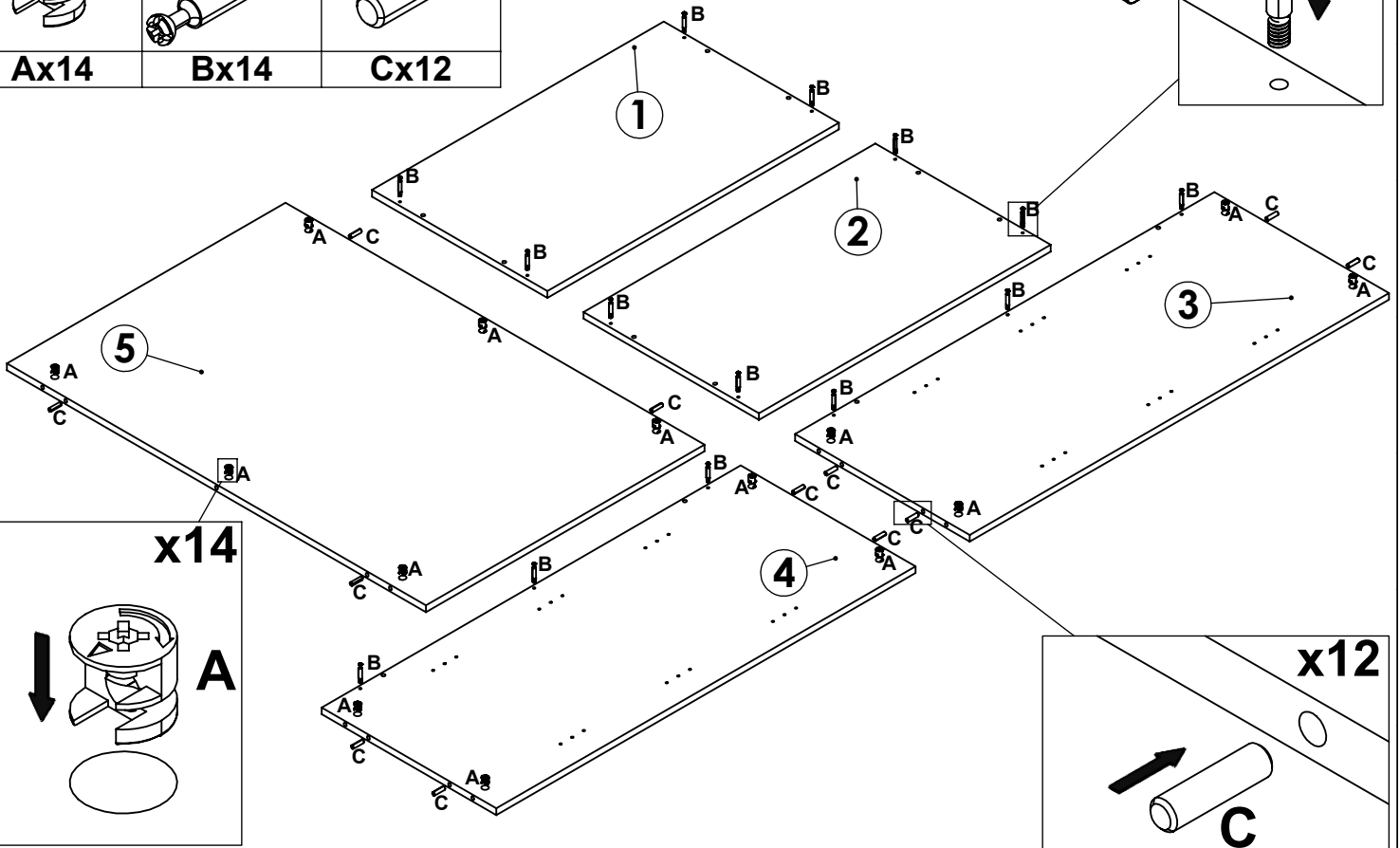
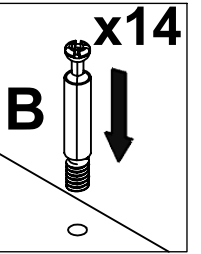
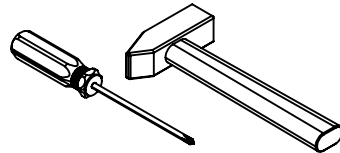


Bx14

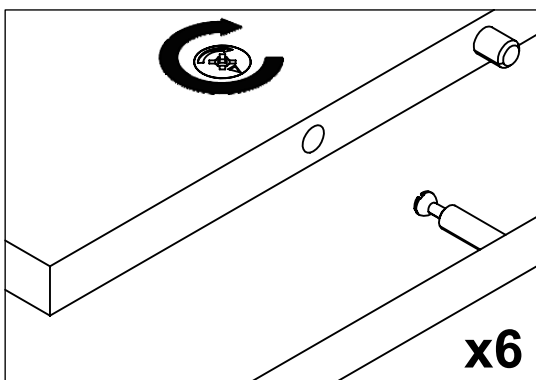
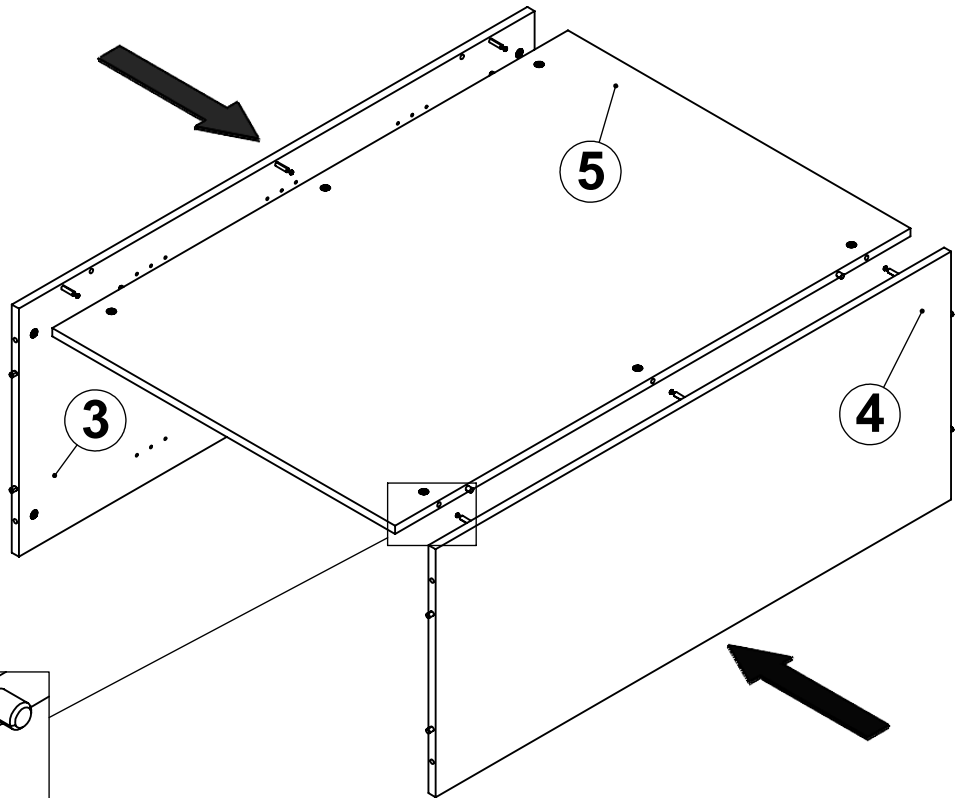
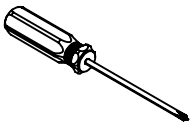
8x30



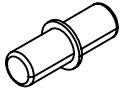
Cx12



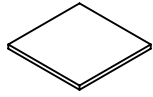
STEP - 2



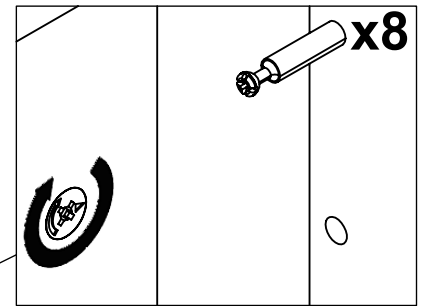
STEP - 3



Dx12



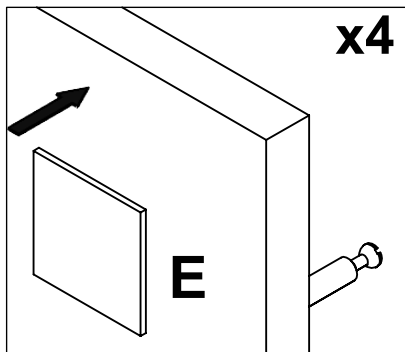
Ex4



x12

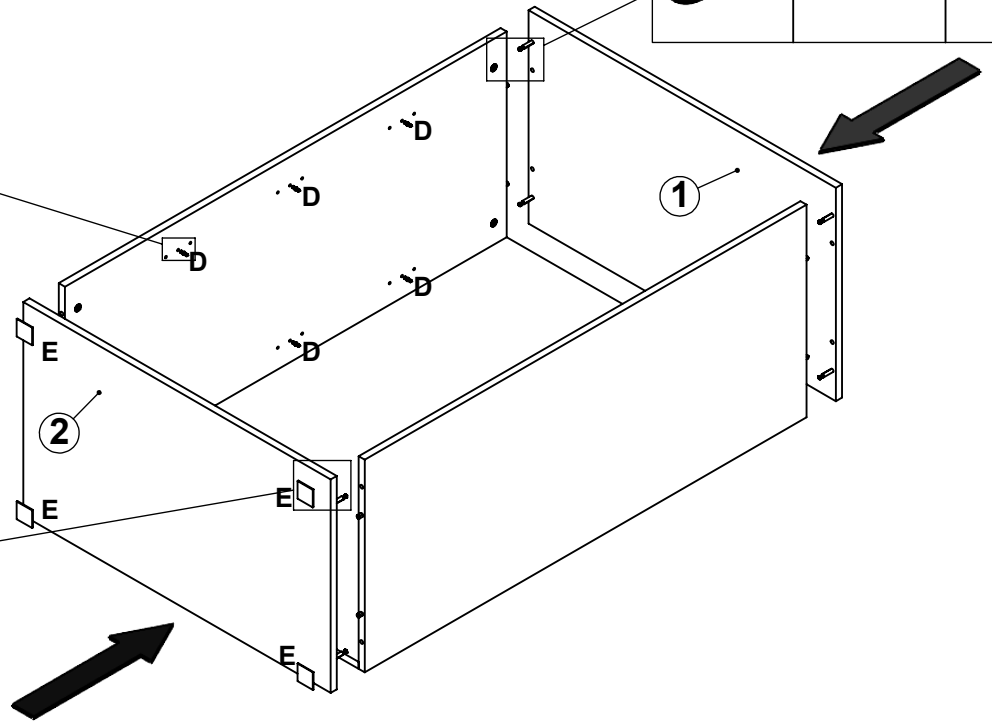


D

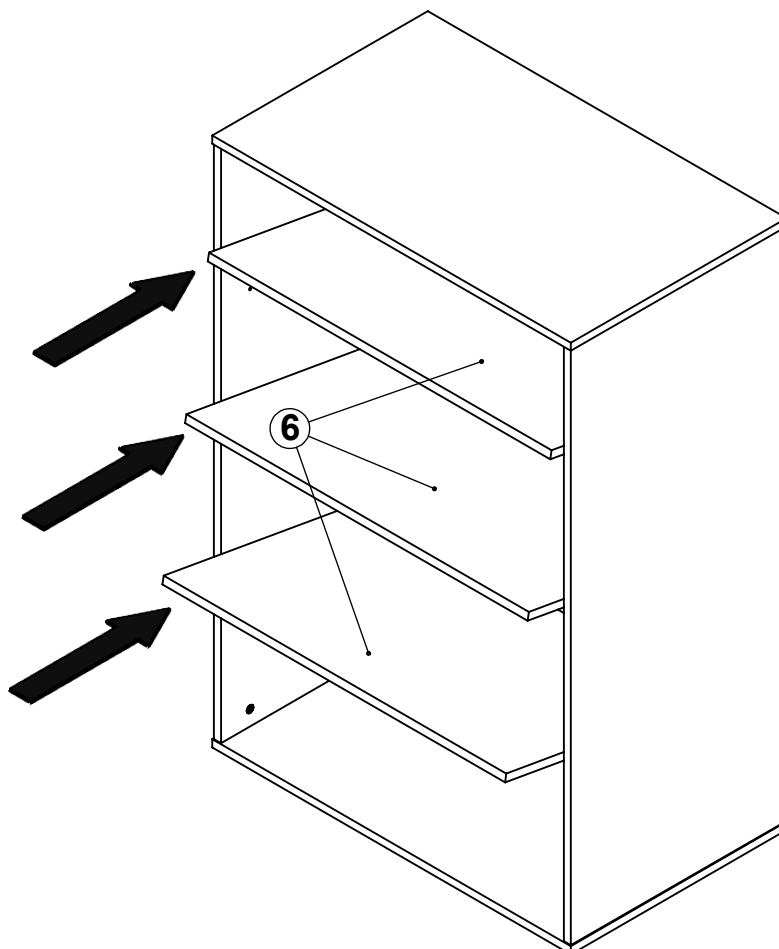


x4

E



STEP - 4



QC-CODE

(UK) for service requests

(NL) voor service vragen

(FR) pour les demandes de service

(DE) für Service Anfragen

(ES) para consultas de servicio

(IT) per richieste di assistenza

